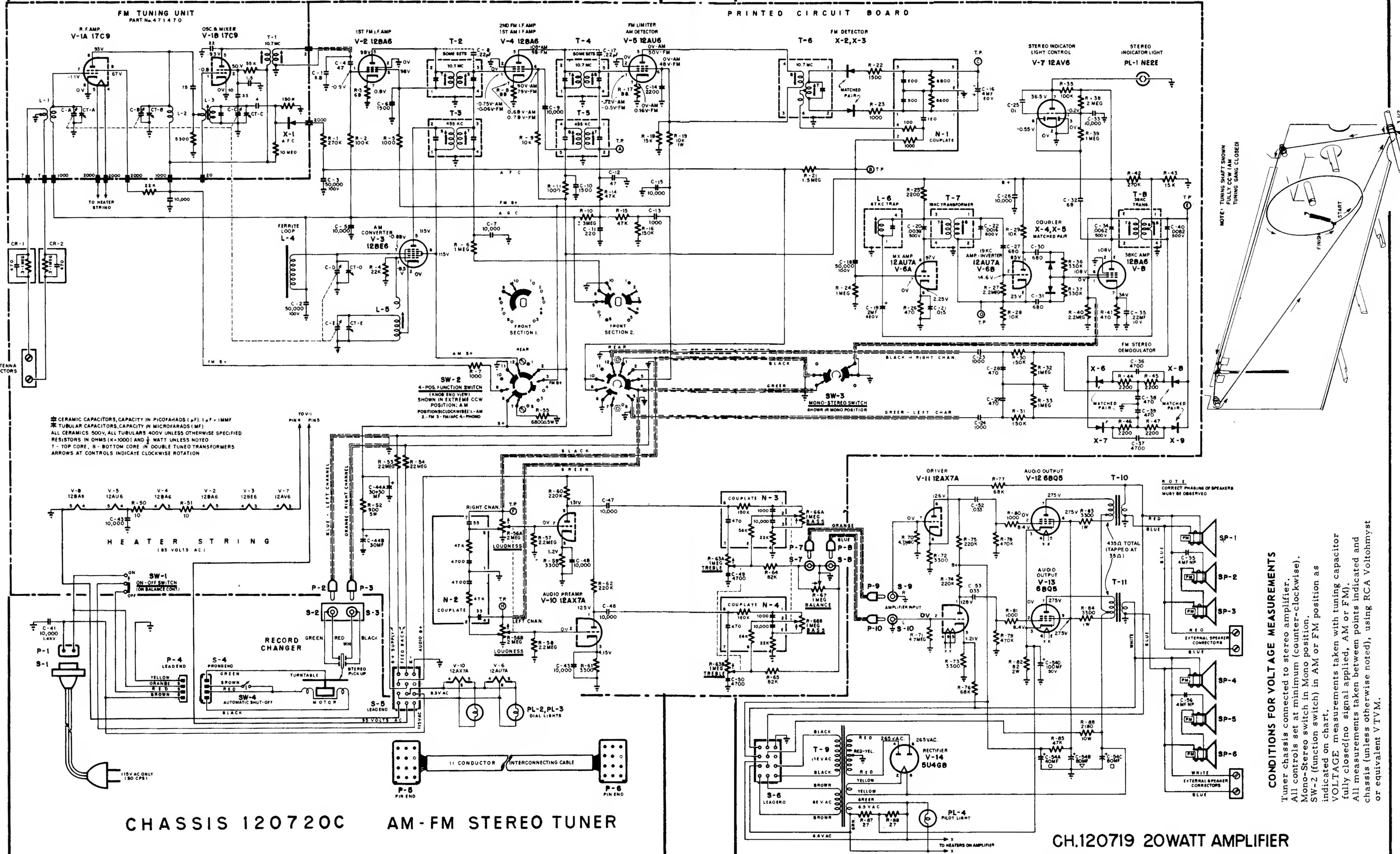


EMERSON and DUMONT Chassis 120719 and 120720C Diagrams

PRINTED CIRCUIT BOARD



NOTE: TUNING SHAFT SHOWN FULLY CCW (AM TUNING GANG CLOSED)

**CONDITIONS FOR VOLTAGE MEASUREMENTS**  
 Tuner chassis connected to stereo amplifier.  
 All controls set at minimum (counter-clockwise).  
 Mono-Stereo switch in Mono position.  
 SW-2 (function switch) in AM or FM position as indicated on chart.  
 VOLTAGE measurements taken with tuning capacitor fully closed (no signal applied, AM or FM).  
 All measurements taken between points indicated and chassis (unless otherwise noted), using RCA Voltmyst or equivalent VTVM.

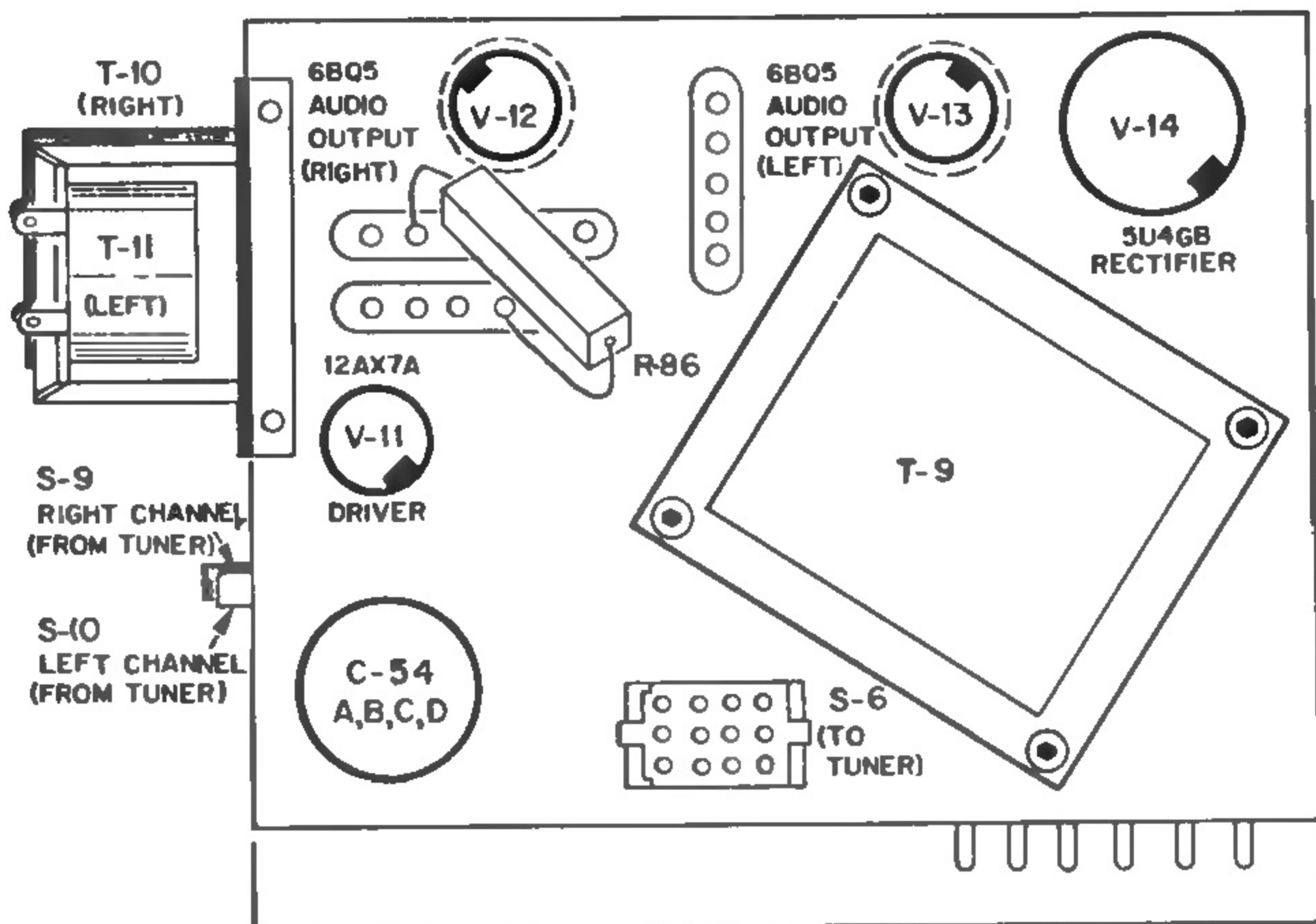
CHASSIS 120720C AM-FM STEREO TUNER

CH.120719 20WATT AMPLIFIER



# Emerson Radio

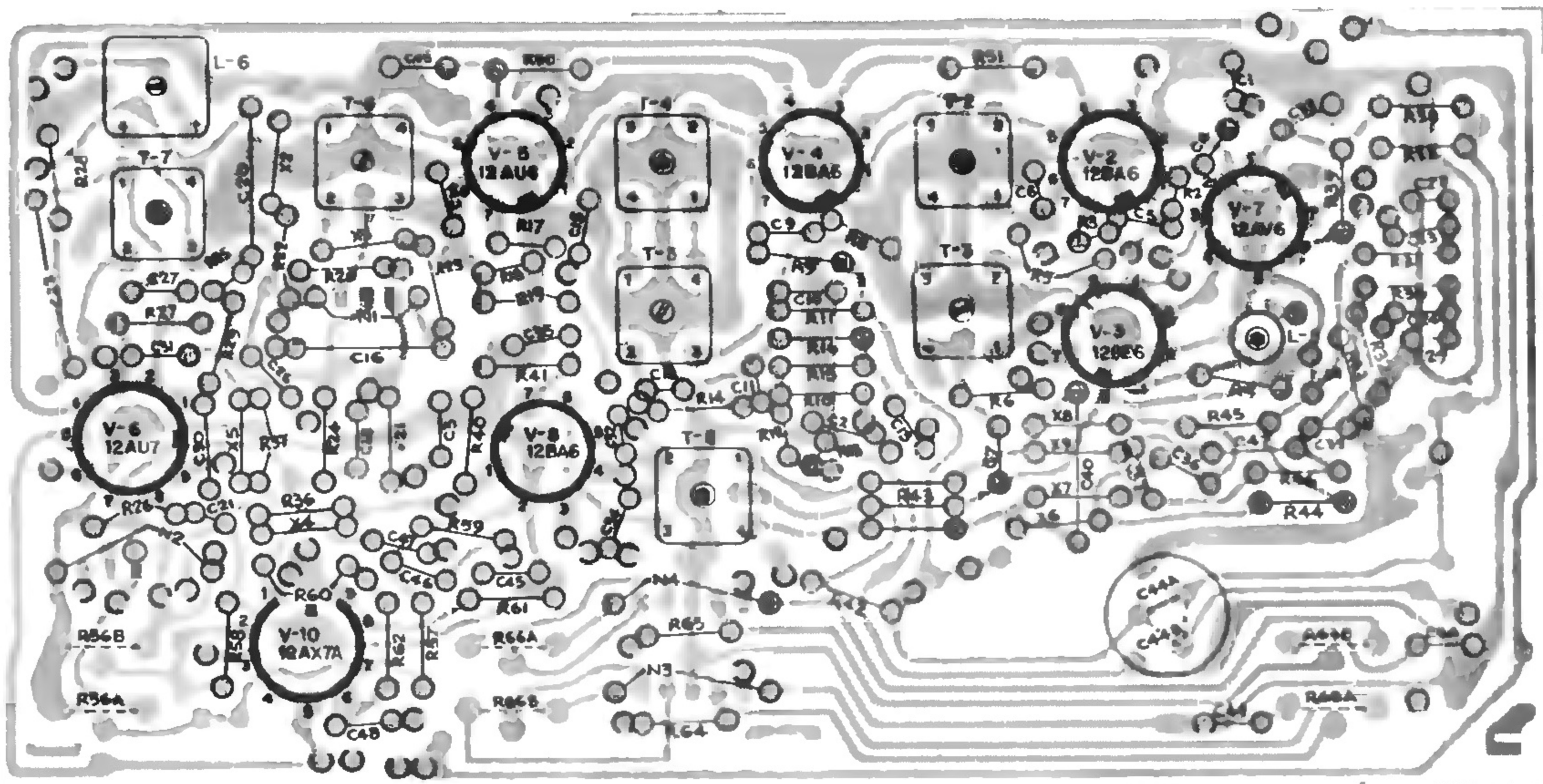
MODELS:  
P-1939, P-1940  
AUDIO CH.: 120719  
AM/FM TUNER: 120720C



## DU MONT

MODELS:  
524, 525, 526.

TUBE LOCATIONS.  
STEREO AMP. CHASSIS



ETCHED PRINTED CIRCUIT, AM-FM TUNING CHASSIS (TOP VIEW)

TUBE LOCATIONS  
AND ALIGNMENT POINTS,  
AM-FM TUNING CHASSIS.

